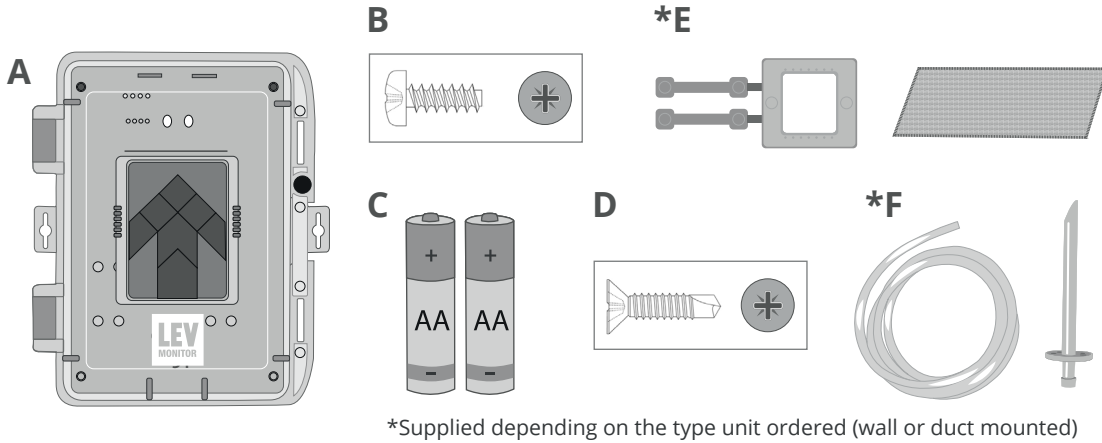


LEV Monitor comprises of the following components:



*Supplied depending on the type unit ordered (wall or duct mounted)

Unit Size:

110 W x 130 H x 65 D mm

- A - 1x LEV Monitor
- B - 2x Fixing screw
- C - 2x Batteries AA
- D - 1x Door screw

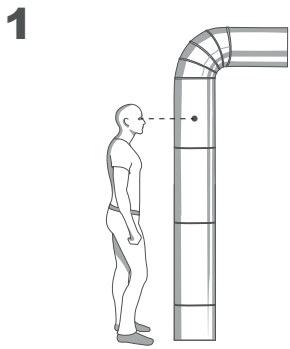
Duct Mount Unit:

- E - 1x Strap (12mm x 1.2m) & 1x Clasp

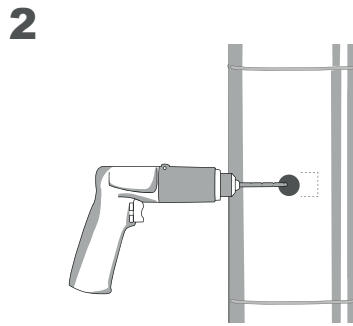
Wall Mount Unit:

- F - 1x Hose & Spigot
- 2x Fixing Screws

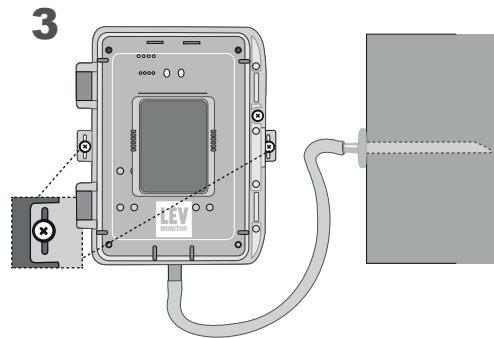
LEV MONITOR Installation Instructions



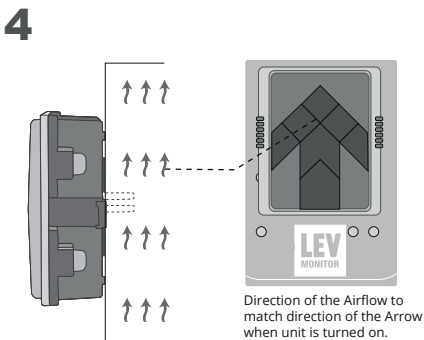
1 Select a suitable mounting position ensuring the LEV Monitor is clearly visible, unobstructed and downstream of any dampers.



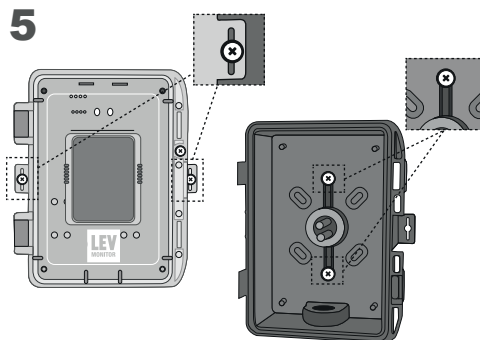
2 Drill a 8mm hole in to the duct and ensure that all edges are de-burred to avoid tearing the seals.



3 For wall fixing, mount the LEV Monitor in a visible location, insert and screw the spigot into the duct, then connect the monitor and probe using the hose provided.

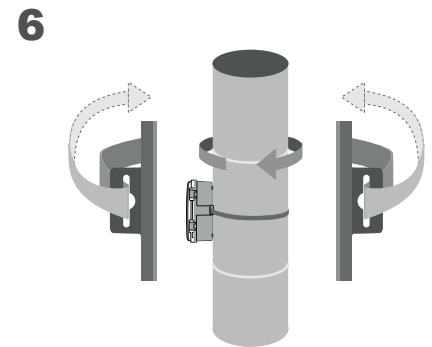


4 Place the LEV Monitor spigots into the duct with the Arrow pointing in the direction of the Airflow.



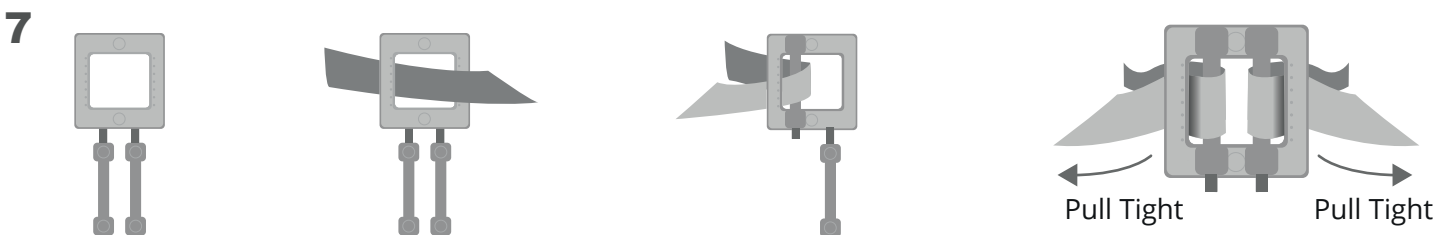
Fastening Option 1: The LEV Monitor can be secured to larger ducts using external flanges.

Fastening Option 2: The LEV Monitor can be secured to larger ducts using internal screw holes.



Fastening Option 3:

For smaller ducts or for additional support, feed the strap around the back of the duct, through the flanges on either side of the unit then back around until both ends meet.



7 Feed the strap ends through the bracket as shown and pull tight to secure on either side of the unit then back around until both ends meet.